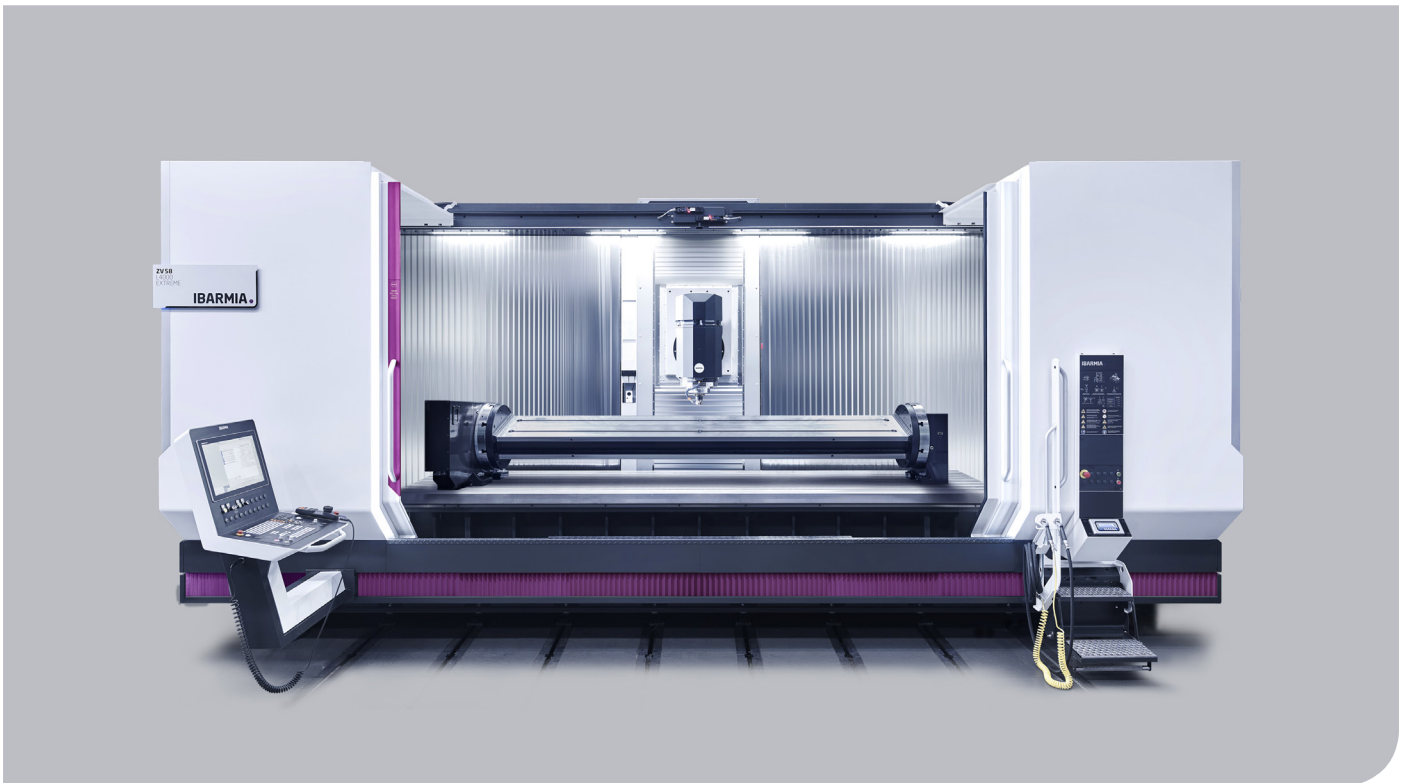


# IBARMIA.

# ZV EXTREME

## 60

### TECHNICAL SPECIFICATIONS



#### ZV EXTREME

3 axis models or in combination with horizontal rotary tables, IBARMIA can achieve the highest productivity by customizing working areas to specific production systems.



### Z SERIES

**ZV EXTREME****ZV 60****STROKES**

-X axis travel (length)	mm	1600 - 12000
-X axis travel working in 2 areas (vertical)	mm	2x 465 (L1600) - 2x 2665 (L6000)
-Y axis travel (cross)	mm	1100
-Z axis travel (vertical)	mm	1000 (Op. 1200)
-Piece maximum width	mm	1500

**TABLE**

-Fixed table dimensions	mm	L1600-2200: X+400 mm; <L3000: X+600 mm & Y +50 mm
-Maximum table load capacity	Kg/m <sup>2</sup>	2000
-Number of "T" slots		9
-"T" slots size	mm	18 H7
-Distance between "T" slots	mm	125
-Min. / Max. distance spindle nose / table	mm	100 - 1100
-Table height	mm	1075

**MAIN SPINDLE**

-Spindle taper		Standard: SK 50 - Option: BT 50 / HSK A-100
-Maximum speed	rpm	Standard: 12.000 - Option: 7000
-Maximum power	kW	Standard: 84 - Option: 75
-Maximum torque	Nm	Standard: 452 - Option: 871

**CONTROLS**

-Available digital controls		Fanuc / Heidenhain / Siemens
-----------------------------	--	------------------------------

**FEED**

-Feed thrust X-Y-Z 100% (S3 40%)	N	X: 15.021 (22.971) / Y: 12.154 (17.255) / Z: 10.649 (15.529)
-Rapid feed for positioning X-Y-Z	m/min	45
-Maximum working feed X-Y-Z	m/min	30

**ACCURACY VDI / DGQ3441**

-Positioning accuracy Tp X-Y-Z (1000 mm)	µm	10
-Repeatability	µm	5

**ZV EXTREME****ZVH 60****CAPACITIES**

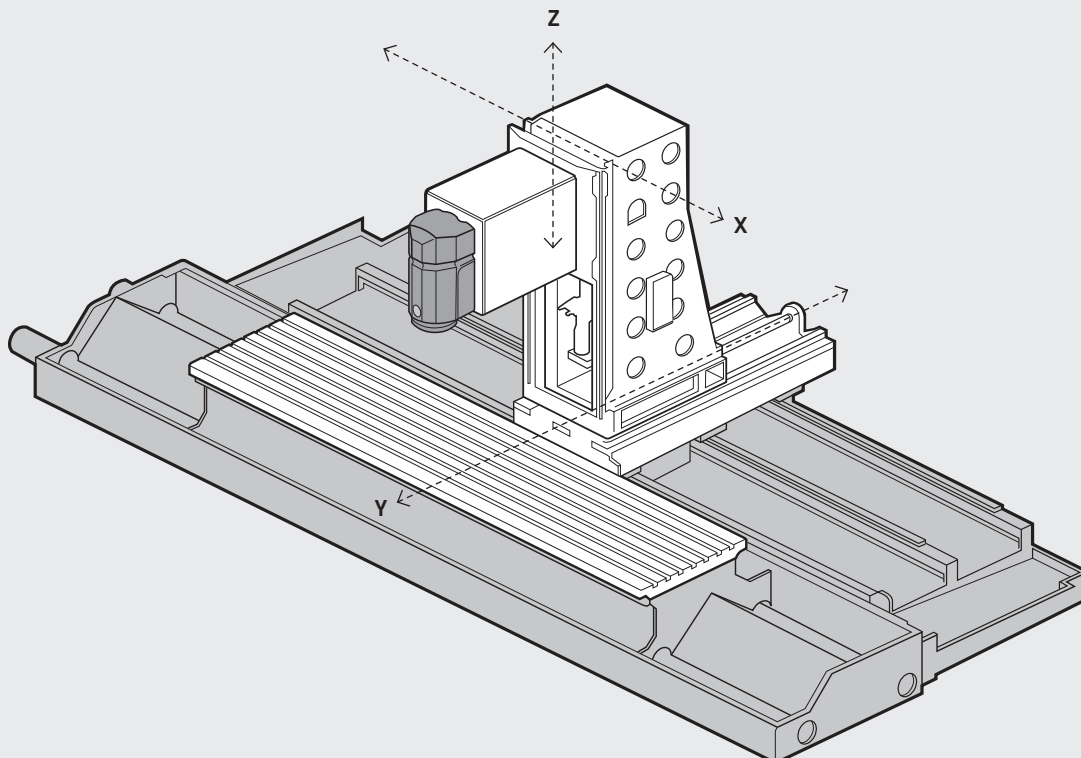
-Milling capacity in steel St 60	cm <sup>3</sup> /min	1100
-Drilling capacity in steel St 60	Ø mm	70
-Tapping de roscado en acero St 60	mm	M45

**TOOL MAGAZINE**

-Number of tools		30. Optional: 40, 60, 80 and more available on request.
-Maximum tool length	mm	400
-Maximum tool weight	Kg	20
-Maximum tool Ø with full magazine	mm	125 (100 with 60-80 ATC)
-Maximum tool Ø with free spaces	mm	200
-Tool changing time	s	10"
-Chip to chip time	s	12"

**GENERAL**

-Machine painted in 3 colours	RAL	White 9010, Ligth Grey 9006, Dark Grey 7021
-Total power installed	kW	60
-Power connection voltage	V	400 V / 50 Hz
-Required compressed air pressure	bar	6
-Machine length (L1600 / L6000)	mm	5850 (L1600) - 11650 (L6000)
-Aproximate net weight (L1600 / L6000)	kg	25.000 / 42.500



---

## INCLUDED ITEMS IN STANDARD CONFIGURATION

---

- 3 axis model: longitudinal X, transversal Y, vertical Z.
- Direct measuring on linear axes X / Y / Z.
- Travelling on lineal guides and ball screws.
- Servomotors with braking system for the axes.
- Rack and pinion system on machines from 6000 mm long.
- Hydraulic counter weight for the head.
- Electrospindle thermal compensation.
- 30 tool ATC magazine.
- Air blast for tool cleaning.
- Totally encapsulated working area.
- Vertical covers on X axis (steel bellows).
- Illumination of working area.
- Double auger system for chip evacuation.
- Removable lateral pannels.
- Moving and rotary control panel (360°) along machine bed (except L1600).
- Touch screen 19".
- Chip Conveyor with integrated coolant tank.
- External coolant system around the spindle.
- Programmable central lubrication system.
- Climatised electrical cabinet.
- Machine levelling elements.
- Informative cartel in black methacrylate.
- SMART POINT machine data monitoring system.

---

## OPTIONAL ITEMS

---

- Coolant through spindle.
- NSM software and division wall of working areas.
- Transport cart for the division wall.
- ATC magazines up to 200 tools (fixed magazines, rack type...).
- Pick up stations integrated in the machine to hold special tools and angular heads.
- Special tool magazines up to 400 positions managed by arm robot.
- Tool measuring and touch systems.
- Special working table configurations: trunnion fixtures...
- Steam and mist aspiration system.
- Spray and air guns.
- "Comfort" pack: Sliding access stairway along the longitudinal travel with supports for air and water guns.
- "Illumination" pack: LED lights with acoustic signal indicating the state of the machine, integrated into the sides.
- 3 light tower with acoustic signal indicating the state of the machine.
- Camera settings and display mode.
- CNC control with touch screen up to 24".
- Advanced HMI.
- Portable electronic hand-wheel with support in the control panel.